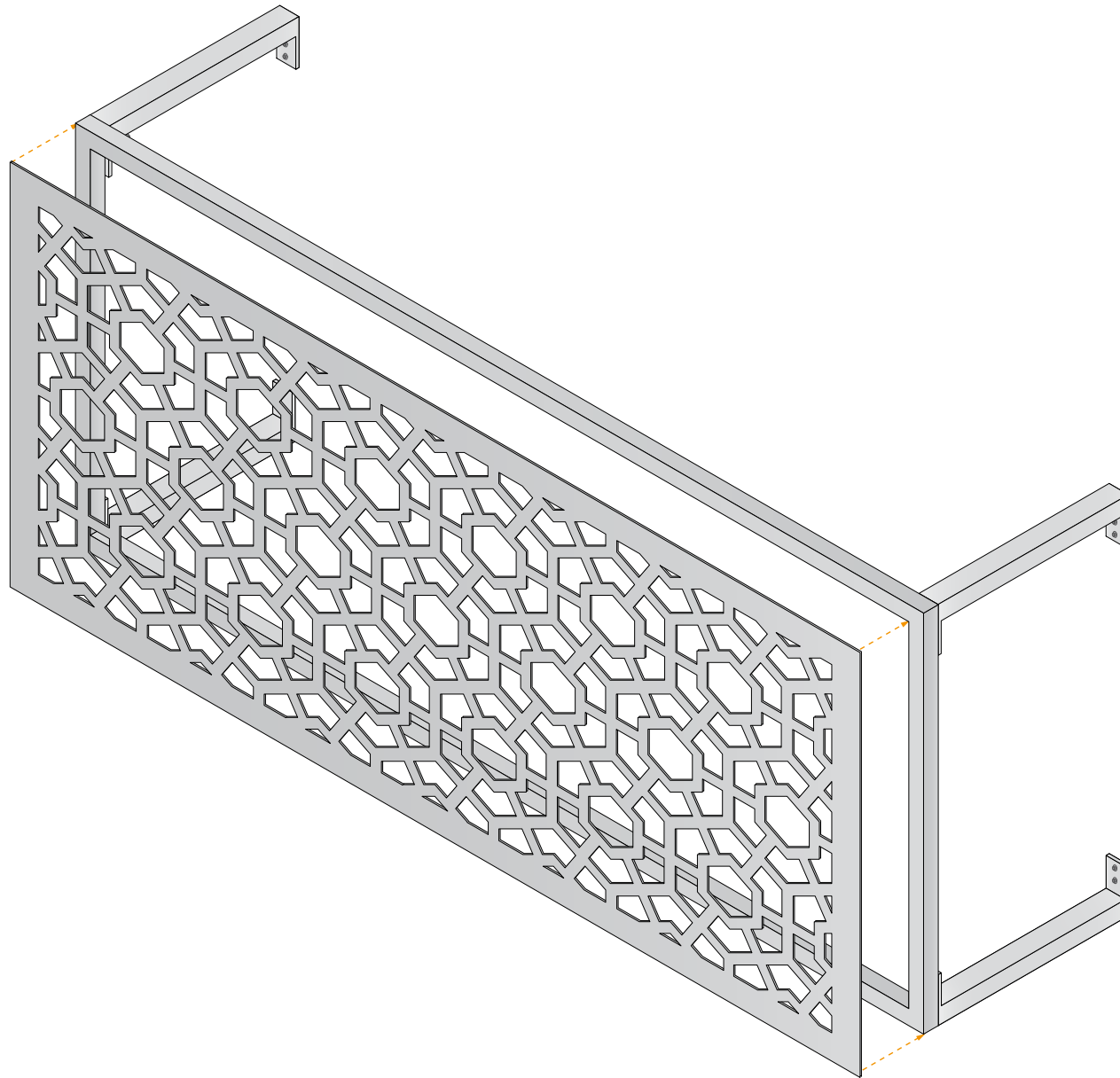


# **SPECIFICATION SHEETS**

---

**WINDOW  
HOOD SYSTEMS  
LASER SCREENS & SLATS**

---



#### **LASER SCREEN FRAME**

25 x 25 x 3mm SHS Aluminium Frame

Mitred Corners

#### **LASER SCREEN BORDERS**

40mm Screen Border on All Edges

#### **WINDOW SCREEN SYSTEM**

25 x 75 x 312mm Window Panel Arm

Fixings dependent on project

#### **SUGGESTED FIXING OPTIONS\***

Coloured Tek 10-12\*20 Screws

Coloured 22mm Wafer Head Screws

Aluminium Rivets

Non-Coloured Timber Screws

\*Fixing colours subject to availability

#### **LASER SCREEN MATERIAL OPTIONS**

##### **Powder Coated Aluminium**

3mm thick 6063 T6 Aluminium

Are available in the Interpon Powder Coating Colour Range

##### **Weathering Steel (Corten)**

3mm thick high strength Weathering Steel

Forms a stable, attractive rust-like appearance

##### **Reconstituted Hardwood (Weathertex)**

100% Australian Plantation Hardwood

9mm thick sheets

Hardwood requires painting/staining for outdoor use.

This is not the responsibility of OXWORKS

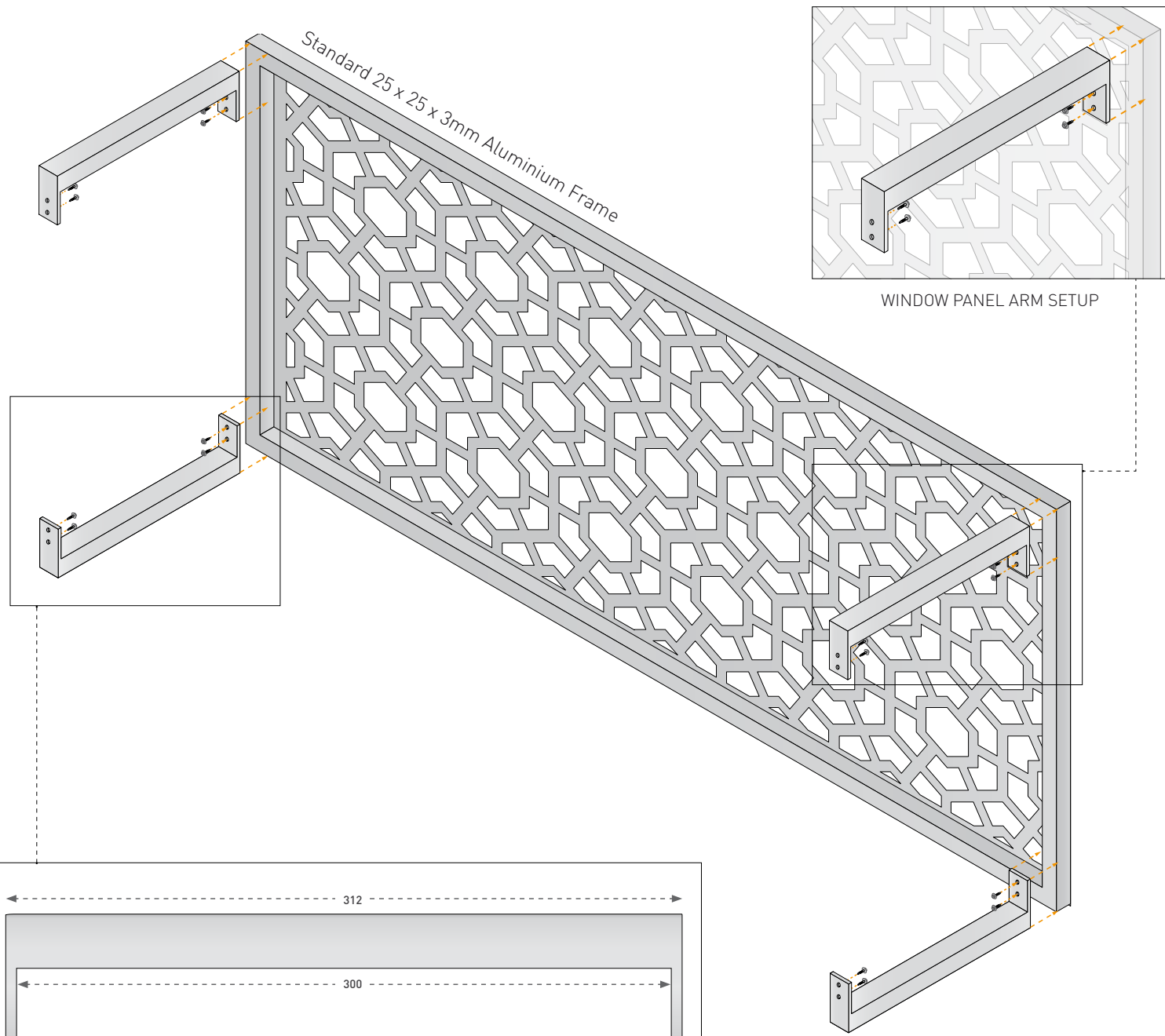
TITLE: **LASER CUT SCREENS  
FRAME W/ WINDOW ARMS**

**TYPICAL ASSEMBLY  
(MARRAKESH SCREEN SHOWN)**

CONTACT: [sales@oxworks.com.au](mailto:sales@oxworks.com.au)

[oxworks.com.au](http://oxworks.com.au) 📞 1300 336 237

**LASER SCREEN FRAME W/ WINDOW ARMS - TYPICAL ASSEMBLY (MARRAKESH SCREEN SHOWN)**



**LASER SCREEN FRAME**

25 x 25 x 3mm SHS Aluminium Frame  
 Mitred Corners

**LASER SCREEN BORDERS**

40mm Screen Border on All Edges

**WINDOW SCREEN SYSTEM**

25 x 75 x 312mm Window Panel Arm  
 Fixings dependent on project

**SUGGESTED FIXING OPTIONS\***

- Coloured Tek 10-12\*20 Screws
- Coloured 22mm Wafer Head Screws
- Aluminium Rivets
- Non-Coloured Timber Screws

\*Fixing colours subject to availability

**LASER SCREEN MATERIAL OPTIONS**

**Powder Coated Aluminium**

3mm thick 6063 T6 Aluminium  
 Are available in the Interpon Powder Coating Colour Range

**Weathering Steel (Corten)**

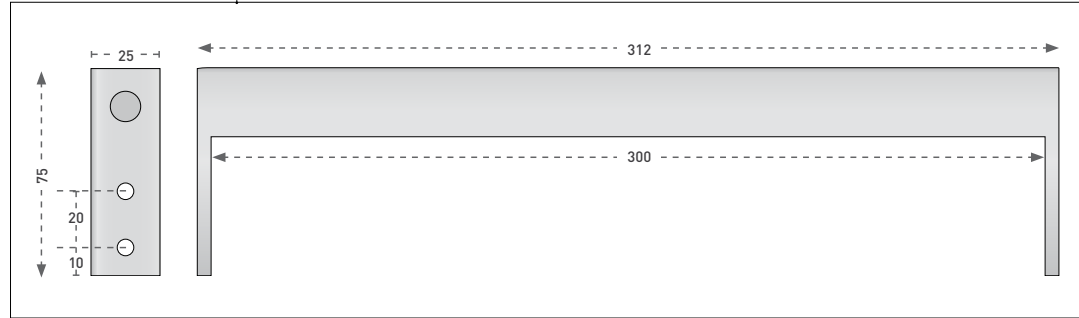
3mm thick high strength Weathering Steel  
 Forms a stable, attractive rust-like appearance

**Reconstituted Hardwood (Weathertex)**

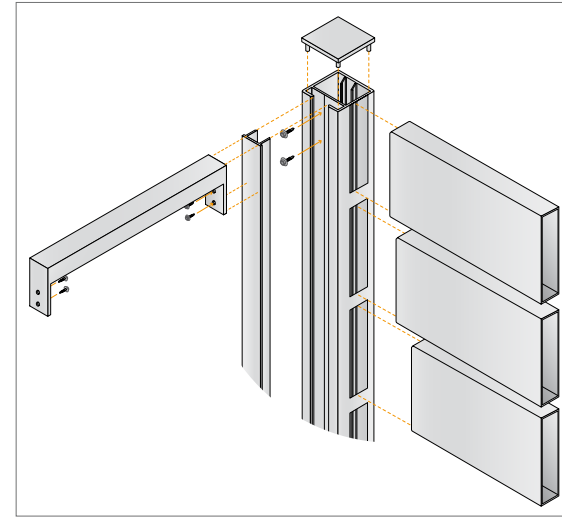
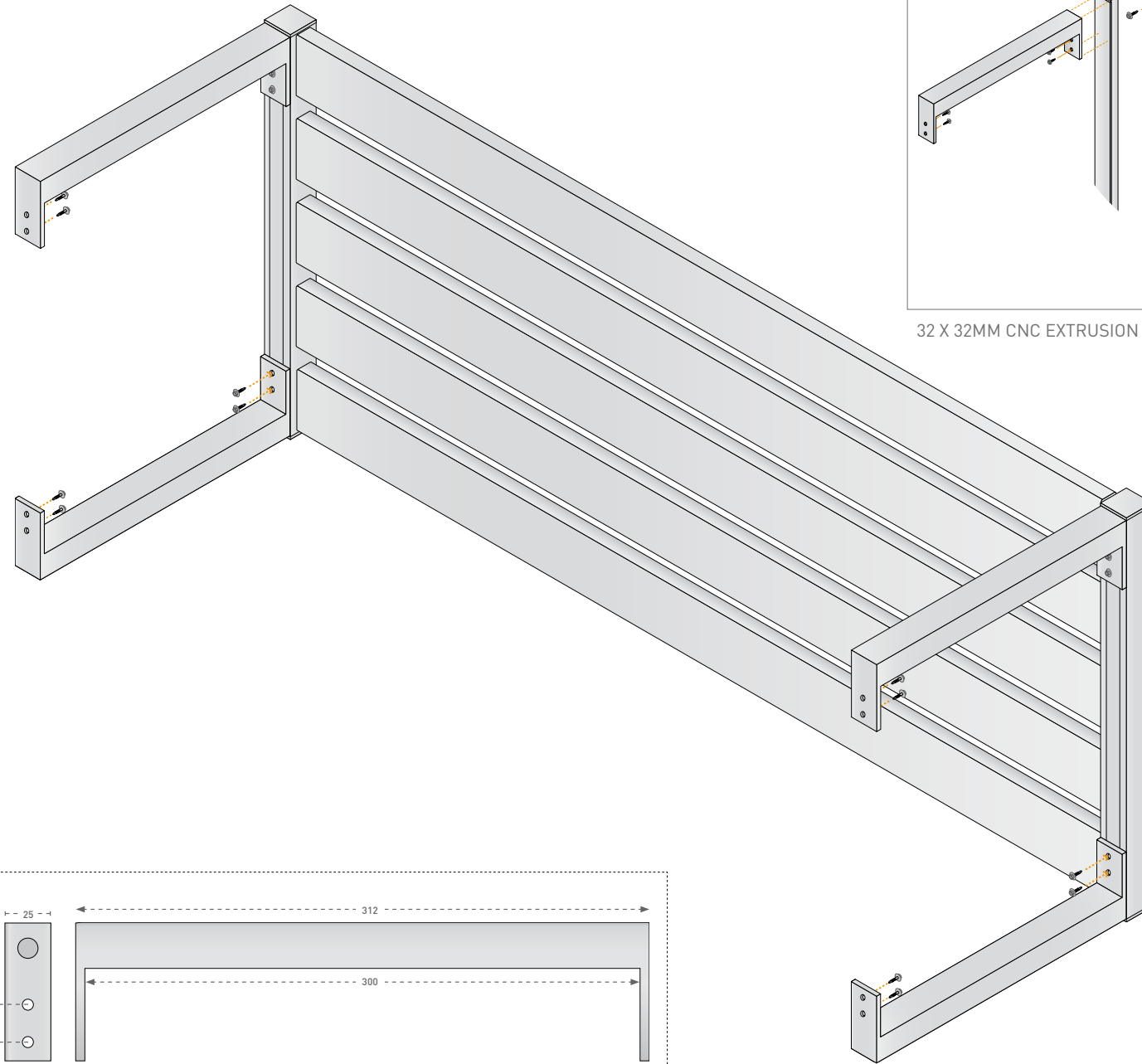
100% Australian Plantation Hardwood  
 9mm thick sheets  
 Hardwood requires painting/staining for outdoor use.  
 This is not the responsibility of OXWORKS

TITLE: **LASER CUT SCREENS  
 FRAME W/ WINDOW ARMS**  
 UNASSEMBLED CONFIGURATION  
 (MARRAKESH SCREEN SHOWN)

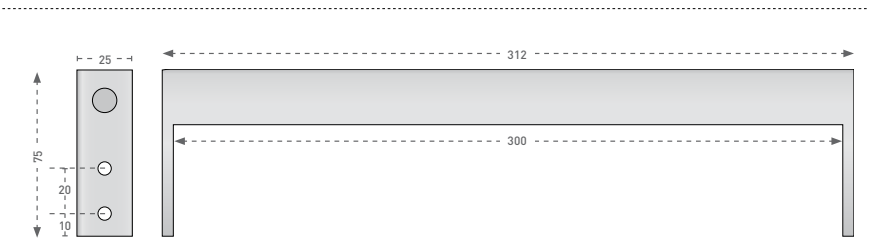
CONTACT: [sales@oxworks.com.au](mailto:sales@oxworks.com.au)



WINDOW PANEL ARM



32 X 32MM CNC EXTRUSION DETAIL WITH WINDOW ARM



WINDOW HOOD ARM - SUPPLIED SEPERATELY

**SLAT OPTIONS**

- 90 x 16 x 1.4mm Aluminium Slat
- 65 x 16 x 1.4mm Aluminium Slat

LENGTHS: 1800mm; 2400mm; 3600mm

- 38 x 16 x 1.4mm Aluminium Slat

LENGTHS: Available on Request

All panels supplied fully assembled with 32 x 32mm CNC routed stiles and screw fixing cover snap in channel

**FIXING & CAPS**

- 312 x 25mm Window Hood Arm
- 20 x 8 x 1.6mm Centre Mullion
- 32 x 32mm Cast Caps supplied for both top and bottom of panels (4 per panel)

**CHANNEL FIXINGS**

10G\*16 Coloured Wafer Head Screw

**MATERIALS**

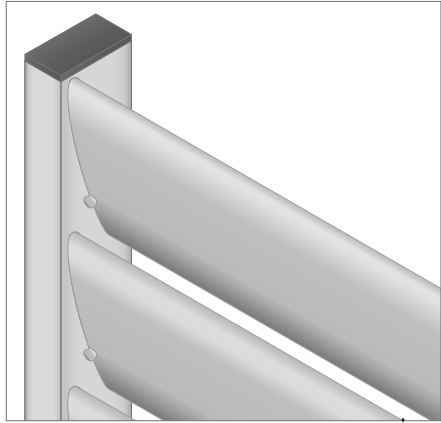
6063 T6 Aluminium - Powder Coated

All of our Aluminium Slat Systems are available in the Interpon Powder Coating Colour Range

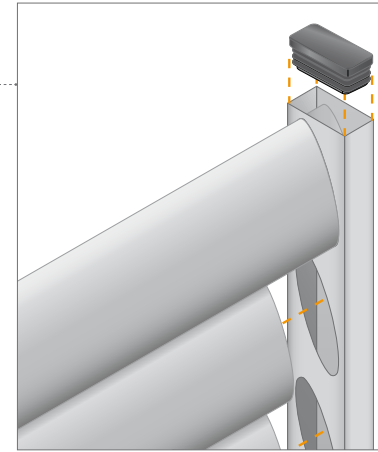
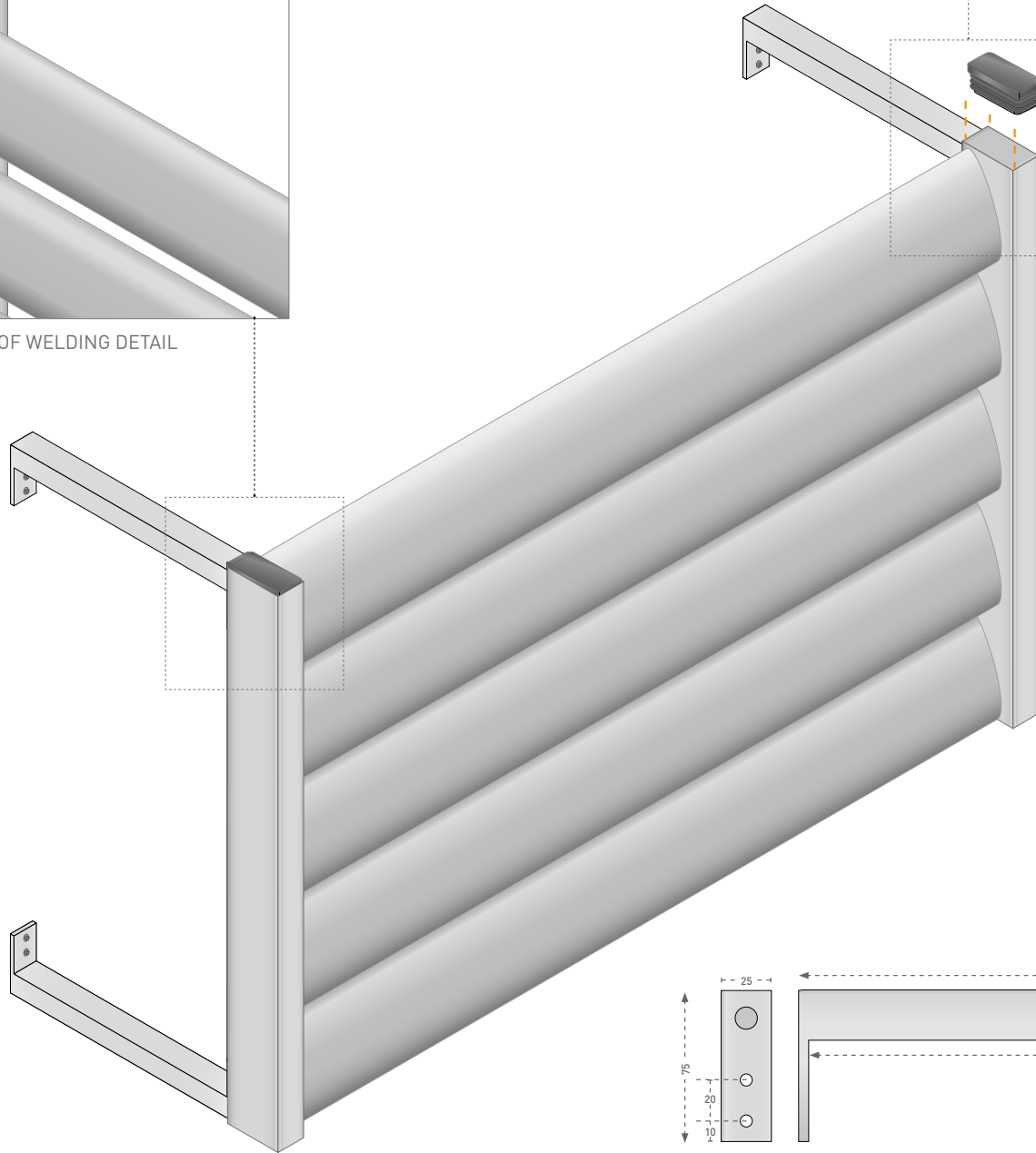
**i** PANELS COME PRE-FABRICATED READY TO INSTALL

TITLE: PRE-FABRICATED ALUMINIUM SLAT PRIVACY SCREENS WINDOW HOOD SLATS

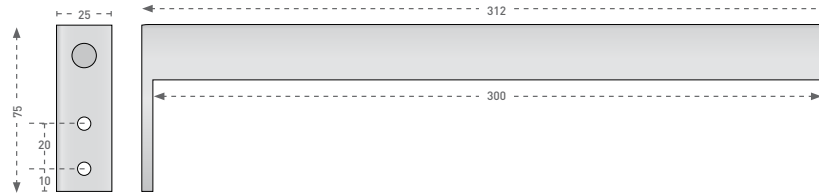




BACK VIEW OF WELDING DETAIL



25 X 50MM CNC EXTRUSION DETAIL



WINDOW HOOD ARM DETAIL

**STILE OPTIONS**

25 x 50mm CNC Routed Stile  
 Black Plastic Caps available - Sold Separately

**LOUVRED ELLIPTICAL SLAT**

100 x 20 x 1.8mm Aluminium Elliptical Slat

- Slats are rotated 75° and slightly overlapped to create the louvred style
- Slats are welded into Stile

CNC Routed Centre Back Strap Support for panels over 1500mm wide

Raking is *not* possible with louvred products

**CHANNEL FIXINGS**

54 x 30mm U Channel - Per Metre Length or 50 x 25mm Angle

10-16-16 / 12-14\*20 Self Tapping Tek Screws

**MATERIALS**

6063 T6 Aluminium - Powder Coated

All of our Louvred Elliptical Screens are available in the Interpon Powder Coating Colour Range

TITLE: **ALUMINIUM WELDED ELLIPTICAL LOUVRED SLAT SCREENS**  
 WINDOW HOOD  
 TYPICAL ASSEMBLY