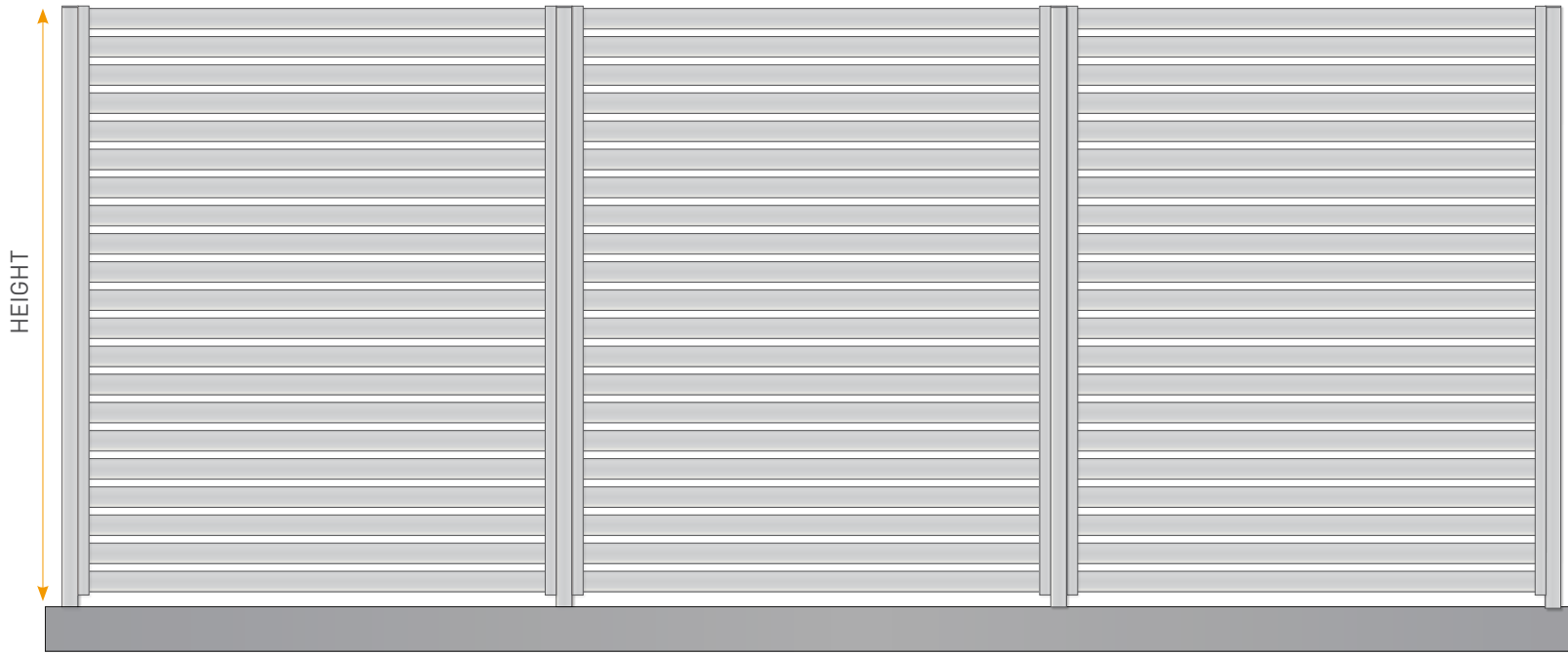


## **SPECIFICATION SHEETS**

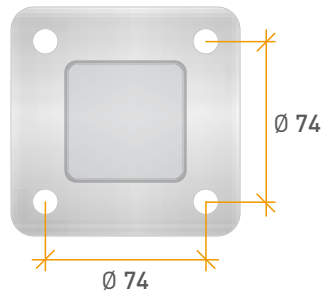
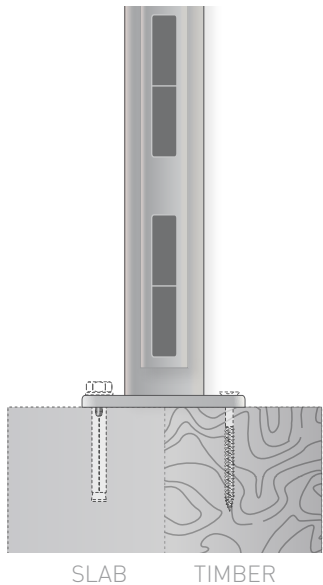
# **PRE-FABRICATED ALUMINIUM SLAT SYSTEM**

---

38/65/90 X 16MM SLATS @ SPECIFIED SPACINGS



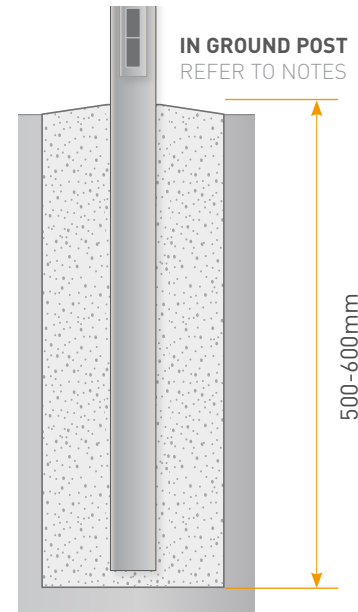
FRONT ELEVATION



**CHANNEL BASE PLATE**

100 x 100mm with 8mm HOLES for 12G\*50 Countersunk Stainless Steel Screw (4 needed to attach to Visage Channel Posts)

REFER TO NOTES



IN GROUND POST END DETAIL

**SLAT OPTIONS**

- 90 x 16 x 1.4mm Aluminium Slat
- 65 x 16 x 1.4mm Aluminium Slat

LENGTHS: 1800mm; 2400mm; 3600mm

- 38 x 16 x 1.4mm Aluminium Slat

LENGTHS: Available on Request

All panels supplied fully assembled with 32 x 32mm CNC routed stiles

**P/COATED CHANNEL & ANGLE FIXING**

- 37 x 32mm C Channel
- 37 x 32mm F Channel
- 40 x 40mm Angle
- 20 x 8 x 1.6mm Centre Mullion

**CHANNEL FIXINGS**

10G\*16 Coloured Wafer Head Screw

**MATERIALS**

6063 T6 Aluminium - Powder Coated

All of our Aluminium Slat Systems are available in the Interpon Powder Coating Colour Range

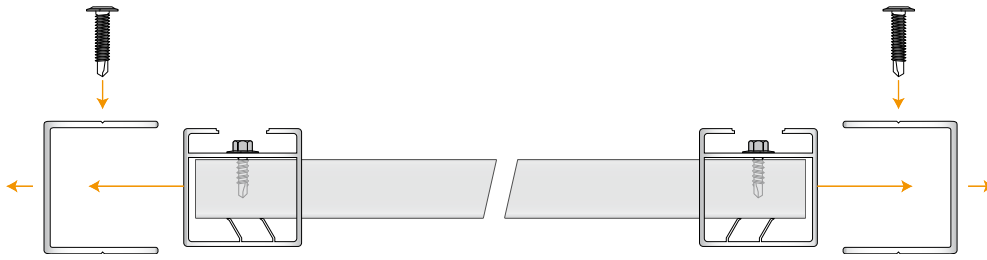
**i** **PANELS COME PRE-FABRICATED READY TO INSTALL**

TITLE: **PRE-FABRICATED ALUMINIUM SLAT PRIVACY SCREENS**

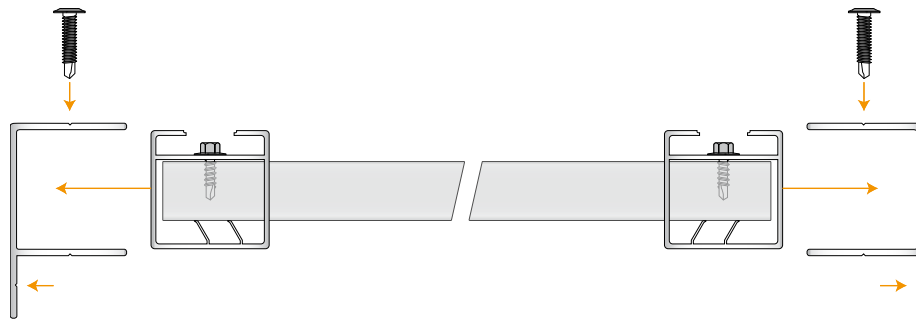
TYPICAL CONFIGURATION

PH 1300 553 596

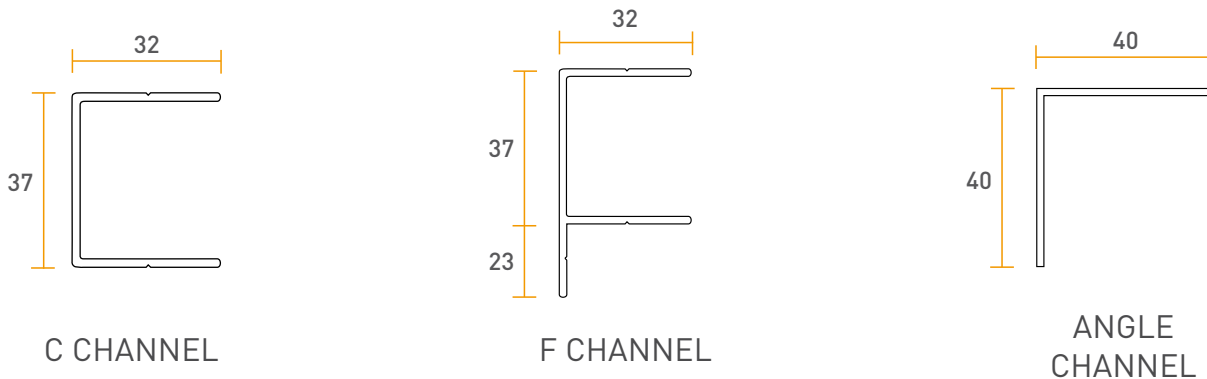




C CHANNEL POST FIXING DETAIL - TOP VIEW



F CHANNEL POST FIXING DETAIL - TOP VIEW



C CHANNEL

F CHANNEL

ANGLE CHANNEL

PRE-FABRICATED SLAT SYSTEM COMPONENTS



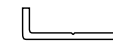
38 x 16 x 1.4mm SLAT  
(Lengths: Available on Request)



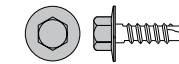
65 x 16 x 1.4mm SLAT  
with Centre Support Gusset  
(Lengths: 1800mm; 2400mm; 3600mm)



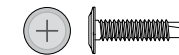
90 x 16 x 1.4mm SLAT  
with Centre Support Gusset  
(Lengths: 1800mm; 2400mm; 3600mm)



20 x 8 x 1.6mm  
Centre Support Mullion  
(Lengths: 1800mm; 3600mm)



Self Tapping Tek Screw  
10-16\*16mm/12-14\*20mm



Self Tapping Wafer  
Head Screw  
22mm

SLAT OPTIONS

- 90 x 16 x 1.4mm Aluminium Slat
  - 65 x 16 x 1.4mm Aluminium Slat
- LENGTHS: 1800mm; 2400mm; 3600mm
- 38 x 16 x 1.4mm Aluminium Slat
- LENGTHS: Available on Request

All panels supplied fully assembled with 32 x 32mm CNC routed stiles

P/COATED CHANNEL & ANGLE FIXING

- 37 x 32mm C Channel
- 37 x 32mm F Channel
- 40 x 40mm Angle
- 20 x 8 x 1.6mm Centre Mullion

CHANNEL FIXINGS

10G\*16 Coloured Wafer Head Screw

MATERIALS

6063 T6 Aluminium - Powder Coated

All of our Aluminium Slat Systems are available in the Interpon Powder Coating Colour Range

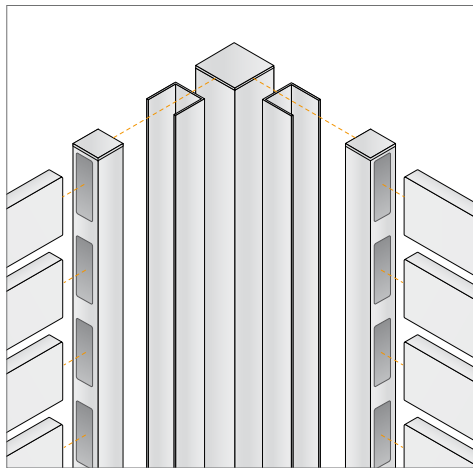
**i** PANELS COME PRE-FABRICATED READY TO INSTALL

TITLE: PRE-FABRICATED ALUMINIUM SLAT PRIVACY SCREENS CHANNELS AND ANGLE FITTINGS

PH 1300 553 596

**PRE-FABRICATED  
ALUMINIUM  
SLAT SYSTEM  
FREE STANDING**

---



37 X 32MM C CHANNEL FIXED TO POST

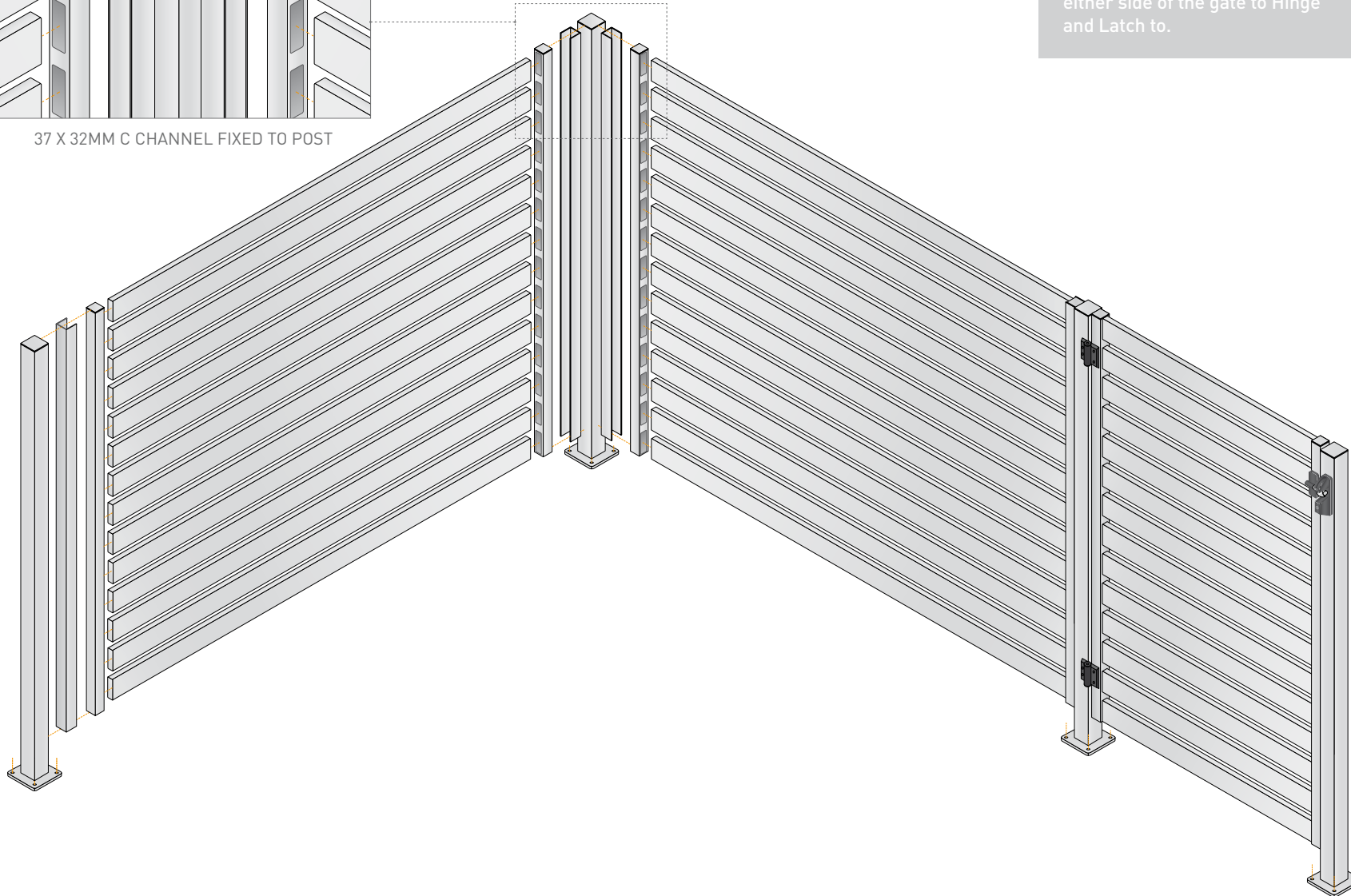


**PANELS** - Our Pre-Fabricated Panels come fully assembled using our exclusive 32 x 32mm CNC stile extrusion routed to your specified slat spacings with 65, 90 or 38mm Slat options.



**GATES** - Our Pre-Fab System Gates are fabricated using a 40 x 40mm fully welded gate frame and slats set to your required spacings.

When fixing between Piers, Gates require 50 x 50mm or 40 x 40mm wall posts installed either side of the gate to Hinge and Latch to.



#### SLAT OPTIONS

- 90 x 16 x 1.4mm Aluminium Slat
- 65 x 16 x 1.4mm Aluminium Slat

**LENGTHS:** 1800mm; 2400mm; 3600mm

- 38 x 16 x 1.4mm Aluminium Slat

**LENGTHS:** Available on Request

All panels supplied fully assembled with 32 x 32mm CNC routed stiles

#### P/COATED CHANNEL & ANGLE FIXING

- 37 x 32mm C Channel
- 37 x 32mm F Channel
- 40 x 40mm Angle
- 20 x 8 x 1.6mm Centre Mullion

#### CHANNEL FIXINGS

10G\*16 Coloured Wafer Head Screw

#### MATERIALS

6063 T6 Aluminium - Powder Coated

All of our Aluminium Slat Systems are available in the Interpon Powder Coating Colour Range

#### RECOMMENDED HINGE & LATCH

HW2020 Tru Close Regular Hinge

HW3030 LokkLatch Deluxe



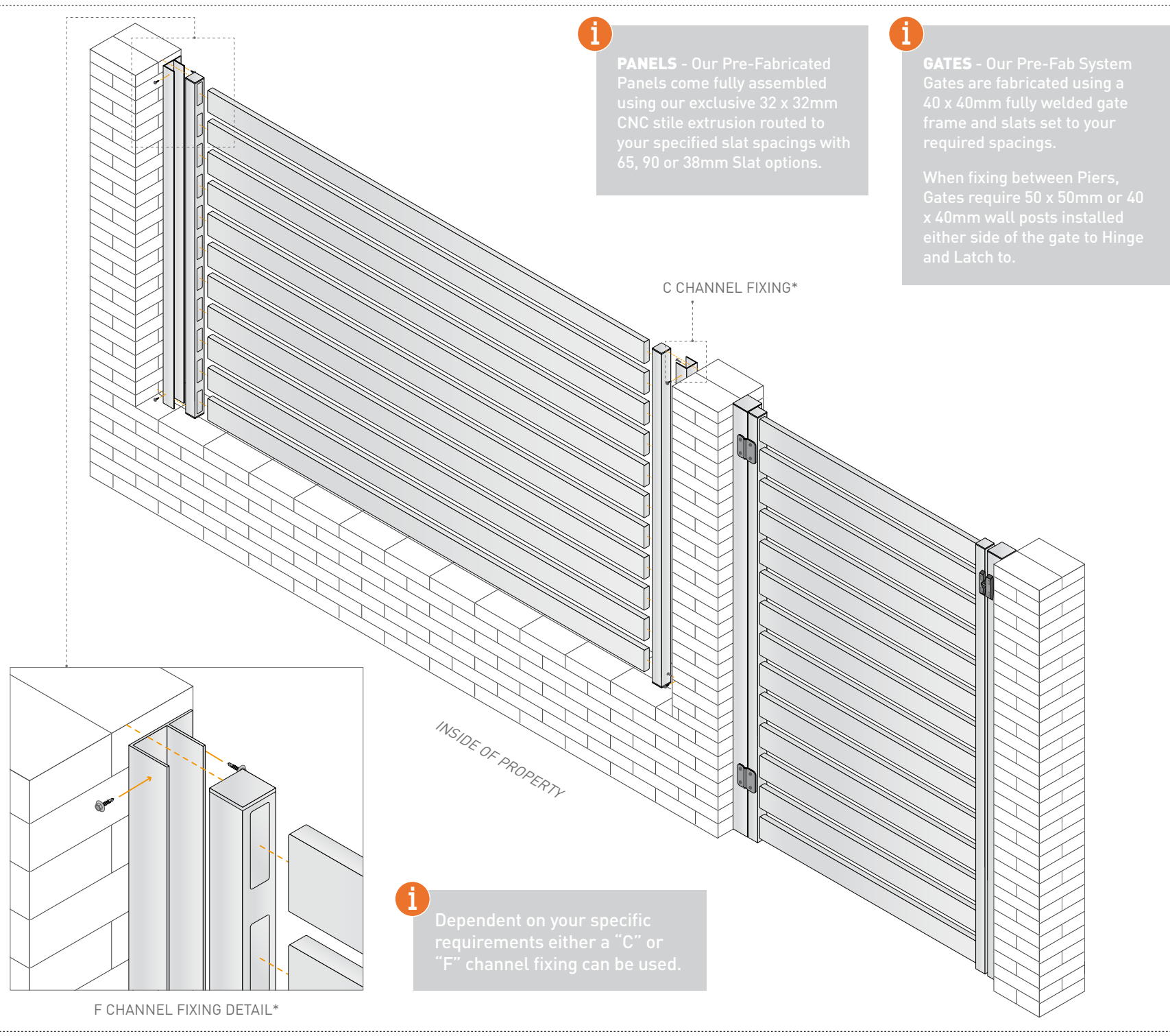
**PANELS COME PRE-FABRICATED READY TO INSTALL**

**TITLE: PRE-FABRICATED ALUMINIUM SLAT PRIVACY SCREENS FREE STANDING PANELS AND GATES**

PH 1300 553 596

**PRE-FABRICATED  
ALUMINIUM  
SLAT SYSTEM  
PIER INFILLS**

---



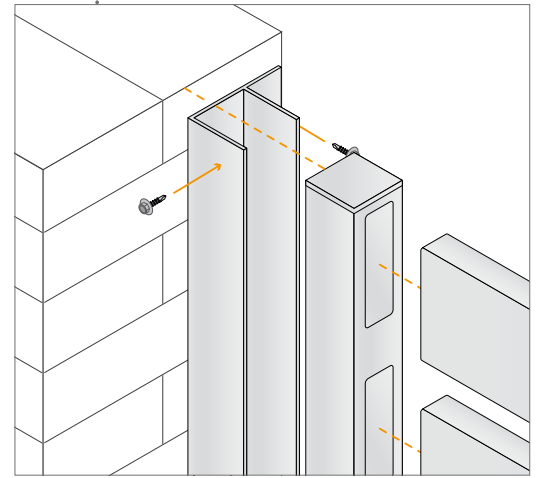
**i** **PANELS** - Our Pre-Fabricated Panels come fully assembled using our exclusive 32 x 32mm CNC stile extrusion routed to your specified slat spacings with 65, 90 or 38mm Slat options.

**i** **GATES** - Our Pre-Fab System Gates are fabricated using a 40 x 40mm fully welded gate frame and slats set to your required spacings.  
  
When fixing between Piers, Gates require 50 x 50mm or 40 x 40mm wall posts installed either side of the gate to Hinge and Latch to.

C CHANNEL FIXING\*

INSIDE OF PROPERTY

**i** Dependent on your specific requirements either a "C" or "F" channel fixing can be used.



F CHANNEL FIXING DETAIL\*

**SLAT OPTIONS**

- 90 x 16 x 1.4mm Aluminium Slat
  - 65 x 16 x 1.4mm Aluminium Slat
- LENGTHS:** 1800mm; 2400mm; 3600mm
- 38 x 16 x 1.4mm Aluminium Slat
- LENGTHS:** Available on Request

All panels supplied fully assembled with 32 x 32mm CNC routed stiles

**P/COATED CHANNEL & ANGLE FIXING**

- 37 x 32mm C Channel
- 37 x 32mm F Channel
- 40 x 40mm Angle
- 20 x 8 x 1.6mm Centre Mullion

**CHANNEL FIXINGS**

- 10G\*16 Coloured Wafer Head Screw

**MATERIALS**

6063 T6 Aluminium - Powder Coated  
  
All of our Aluminium Slat Systems are available in the Interpon Powder Coating Colour Range

**RECOMMENDED HINGE & LATCH**

- HW2020 Tru Close Regular Hinge
- HW3030 LokkLatch Deluxe

**i** **PANELS COME PRE-FABRICATED READY TO INSTALL**

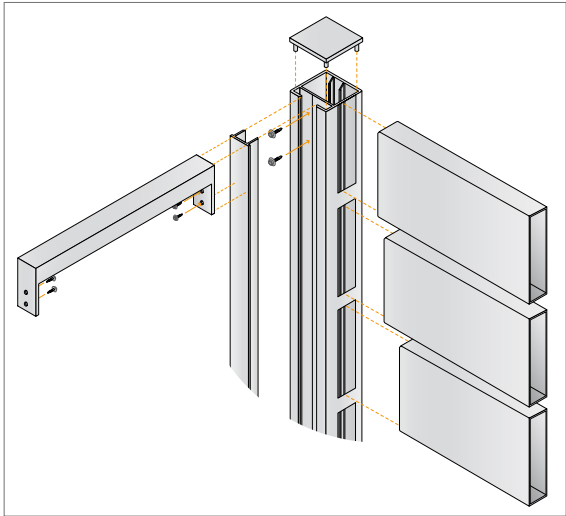
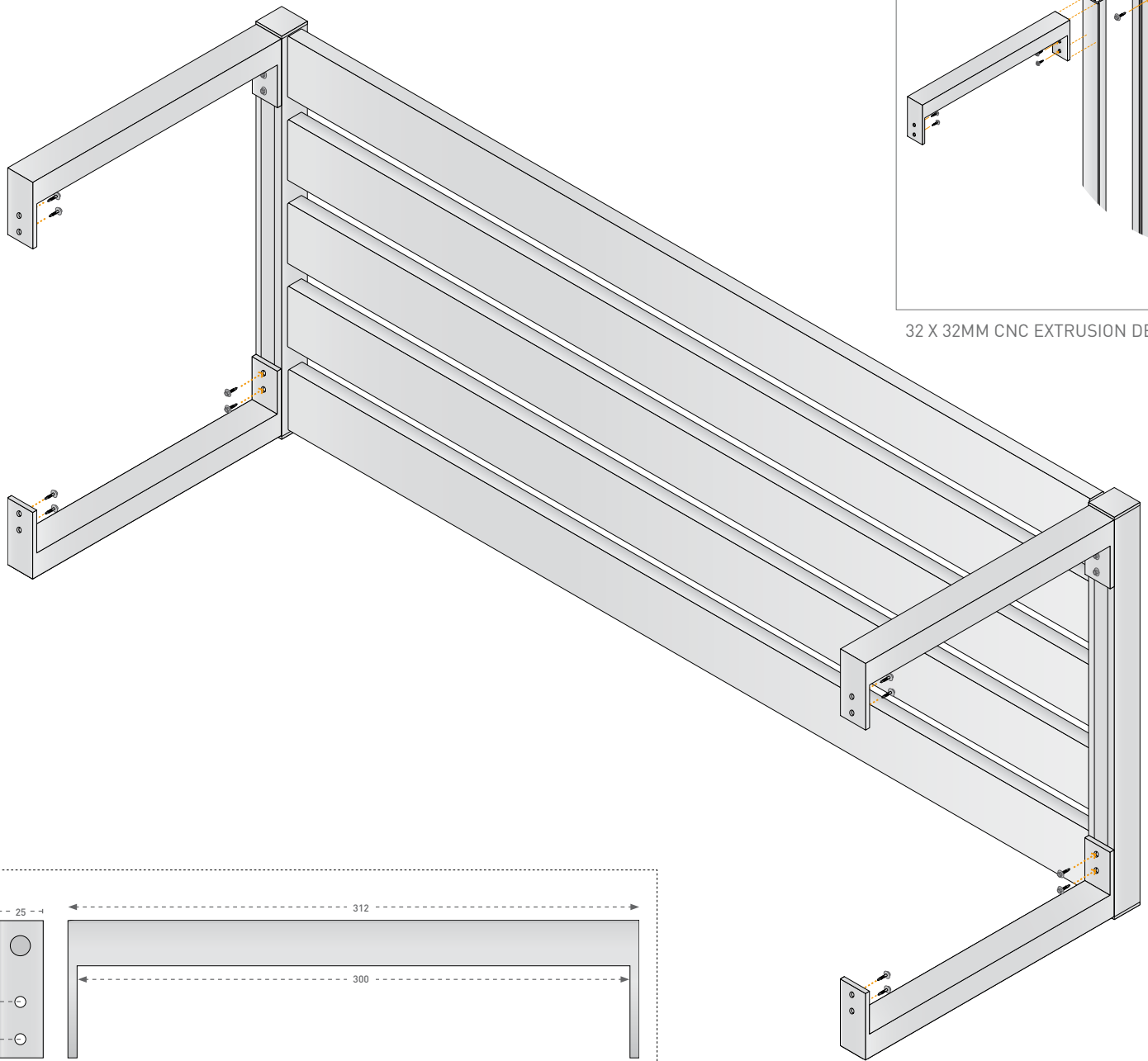
**TITLE:** PRE-FABRICATED ALUMINIUM SLAT PRIVACY SCREENS  
PIER INFILLS/EXISTING POST PANELS AND GATES

PH 1300 553 596

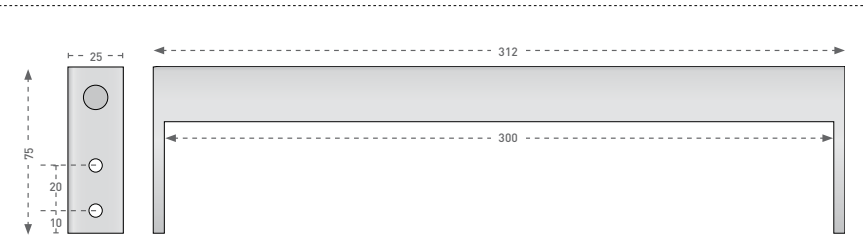
**PRE-FABRICATED  
ALUMINIUM  
SLAT SYSTEM  
WINDOW HOODS**

---





32 X 32MM CNC EXTRUSION DETAIL WITH WINDOW ARM



WINDOW HOOD ARM - SUPPLIED SEPERATELY

**SLAT OPTIONS**

- 90 x 16 x 1.4mm Aluminium Slat
- 65 x 16 x 1.4mm Aluminium Slat

LENGTHS: 1800mm; 2400mm; 3600mm

- 38 x 16 x 1.4mm Aluminium Slat

LENGTHS: Available on Request

All panels supplied fully assembled with 32 x 32mm CNC routed stiles and screw fixing cover snap in channel

**FIXING & CAPS**

- 312 x 25mm Window Hood Arm
- 20 x 8 x 1.6mm Centre Mullion
- 32 x 32mm Cast Caps supplied for both top and bottom of panels (4 per panel)

**CHANNEL FIXINGS**

10G\*16 Coloured Wafer Head Screw

**MATERIALS**

6063 T6 Aluminium - Powder Coated

All of our Aluminium Slat Systems are available in the Interpon Powder Coating Colour Range

**i** PANELS COME PRE-FABRICATED READY TO INSTALL

TITLE: PRE-FABRICATED ALUMINIUM SLAT PRIVACY SCREENS WINDOW HOOD SLATS

PH 1300 553 596